

**SAMSUNG
S3C2410**

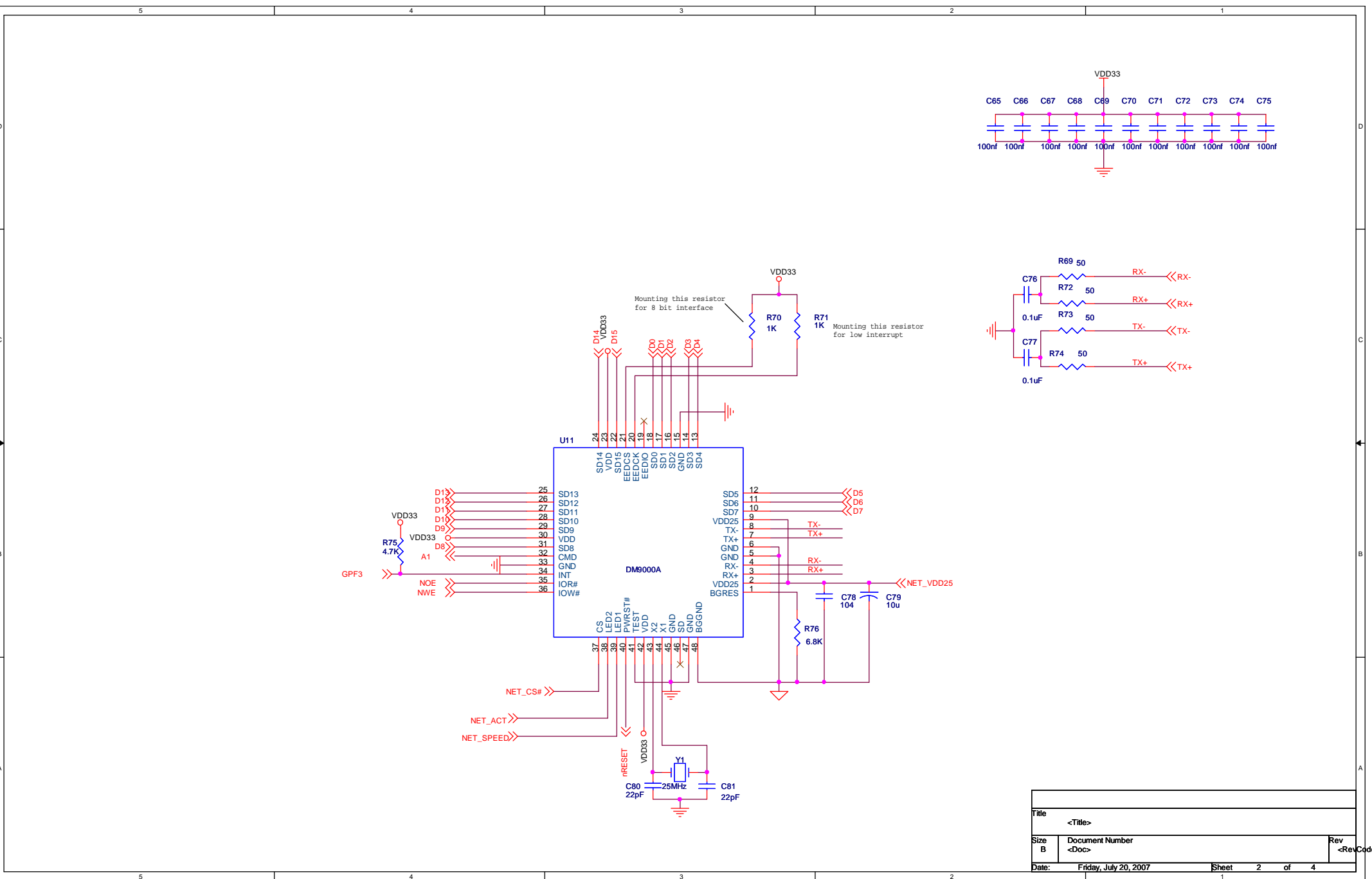
JTAG

RTC POWER

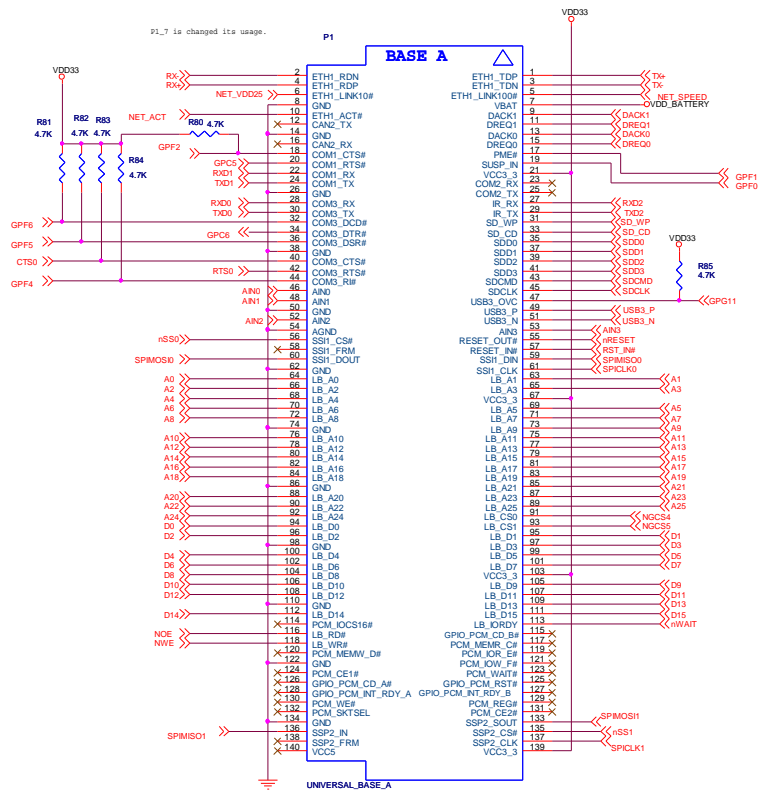
NAND FLASH

SRAM

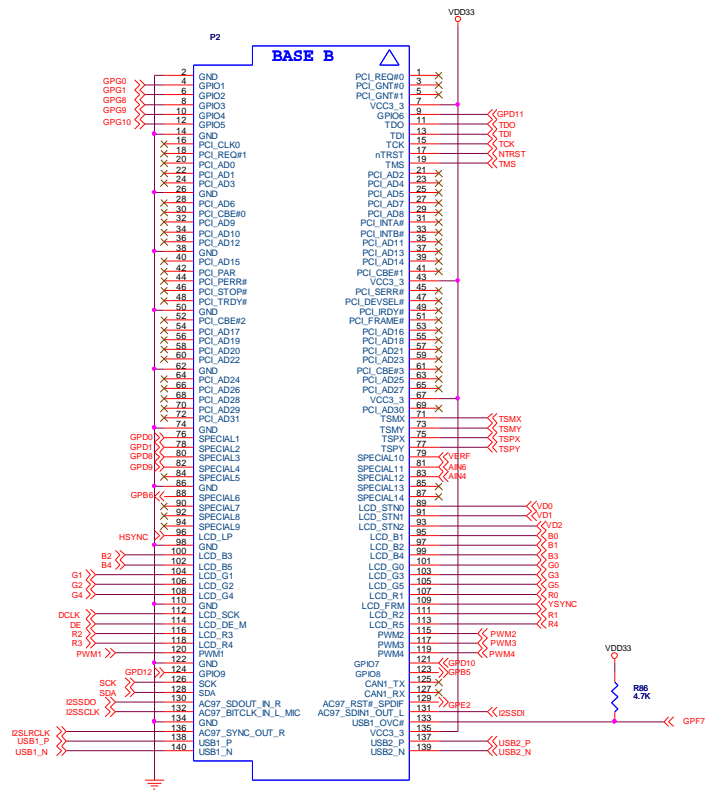
SDRAM



Title			<Title>
Size	Document Number	Rev	
B	<Doc>	<Rev Code>	
Date:	Friday, July 20, 2007	Sheet	2 of 4

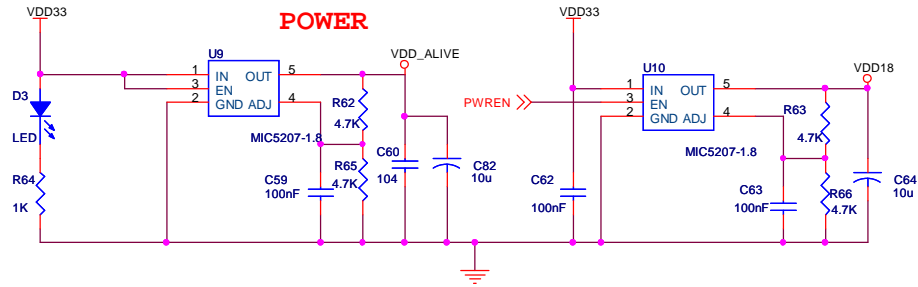
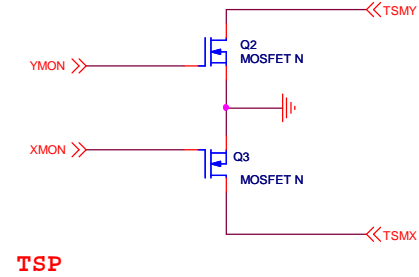
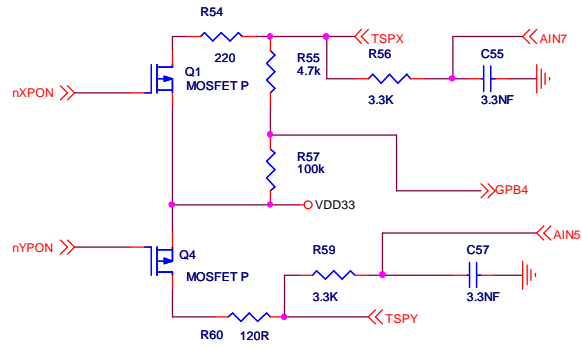
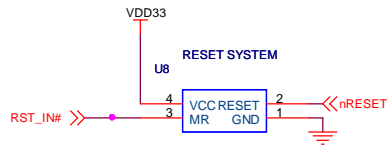


MEM47+COM16+AD5+SSP10+PCMCIA16+GND12+VCC6+RESET2+SD8+CAN2+NET7+POWER2+DMA4+USB3



PCI51+GPIO9+SPECIAL4+TSP4+LCD23+USB5+CAN2+AC97(5)+GND10+VCC(4)+PWM4+JTAG5+IIC2

File	<Title>	Rev
Size	Document Number	<Rev>
C	<Doc>	
Date	Friday, July 20, 2007	Sheet 3 of 4



Title		
<Title>		
Size	Document Number	Rev
B	<Doc>	<Rev Code>
Date:	Friday, July 20, 2007	Sheet 4 of 4